

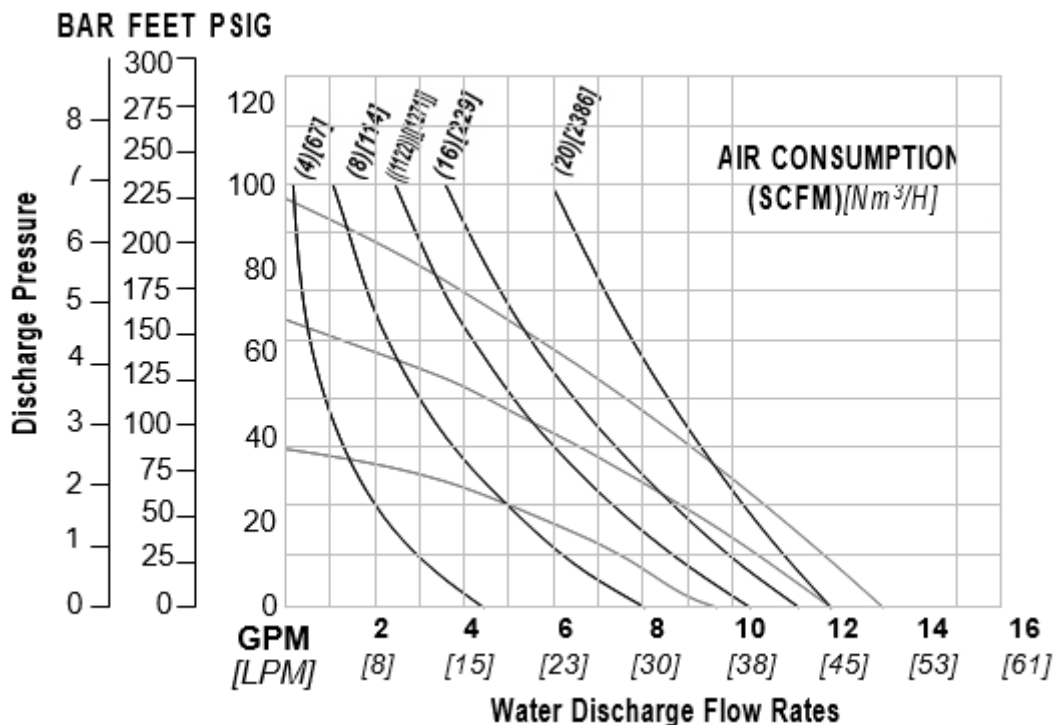
AIR OPERATED DOUBLE DIAPHRAGM PUMP

SECTION 1 – NOMENCLATURE

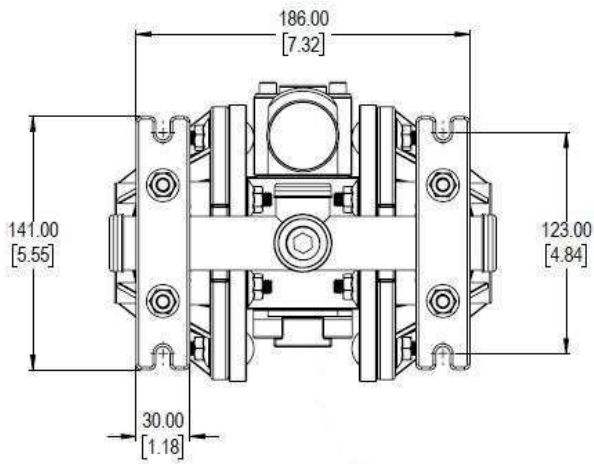
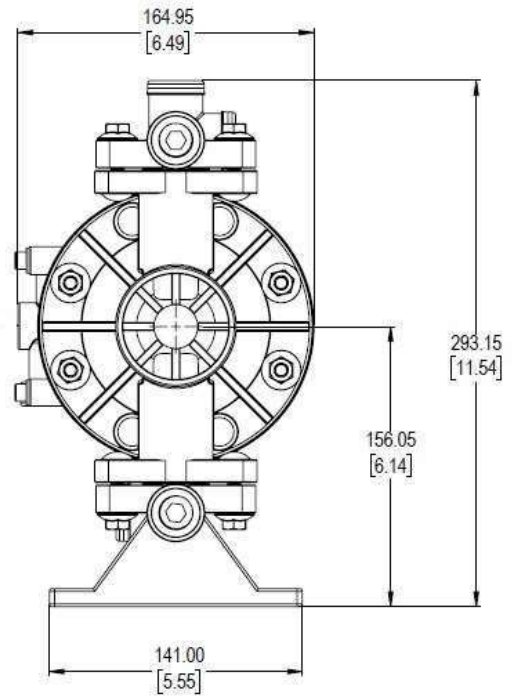
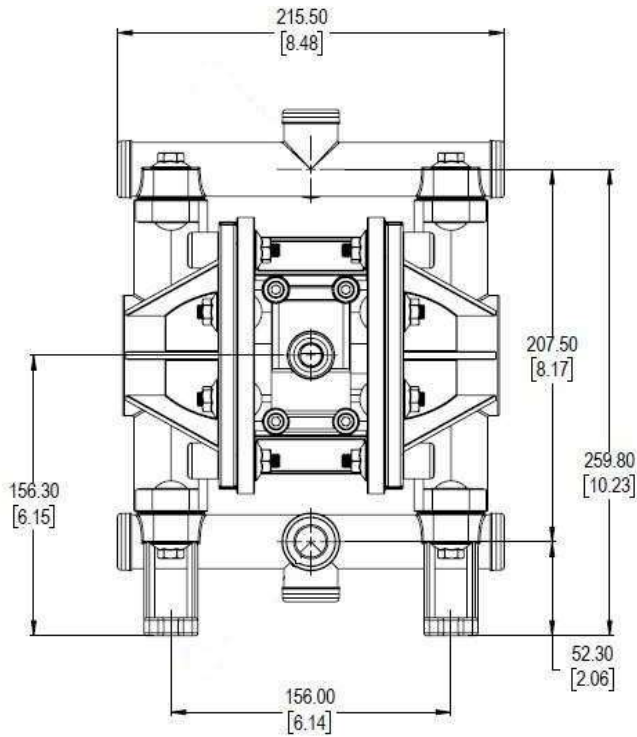
Max Flow rate	: 35Lpm
Port Size	: Inlet : 12.70mm (1/2" BSP) Discharge : 12.70mm (1/2" BSP) Air Inlet : 1/4" BSP Air Exhaust : 12.70mm (1/2 " BSP)
Suction Lift	: Dry : 1.45m (4.75') Wet : 2.83m (9.28')
Teflon	: Dry : 0.50m (1.64') Wet : 0.90m (2.95')
Max Particle Size (Dia)	: 2mm (0.078")
Diaphragm	: Teflon, <u>Santoprene</u> , Buna



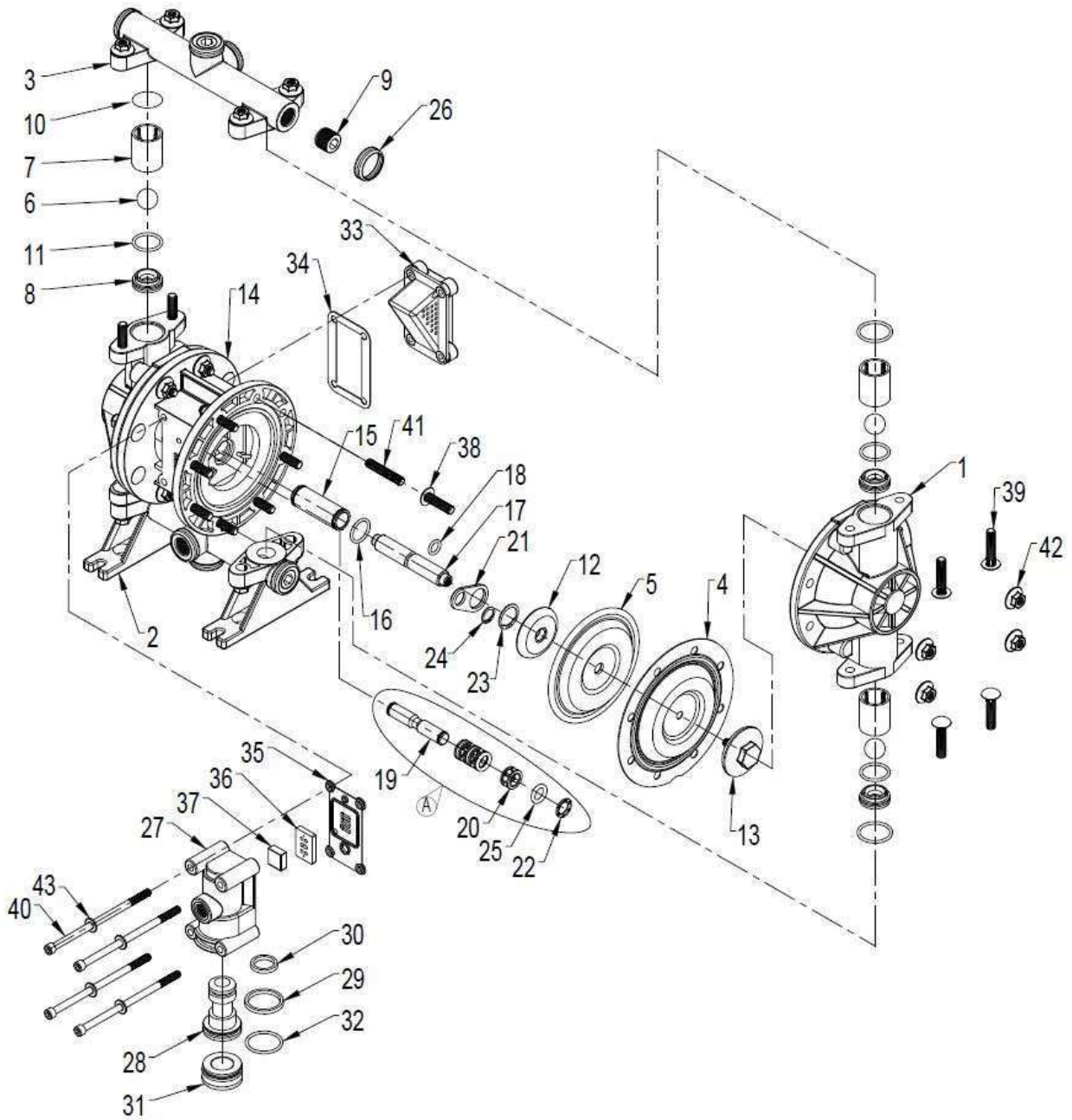
SECTION 2 – FLOW CURVES



SECTION 3 – DIMENSIONS DRAWING



SECTION 4 – PUMP VIEW



SECTION 5 – SPARE PART LIST

SR No.	DISCRIPTION	PART No	QTY
1	LIQUID CHAMBER	A15-1001-20	2
2	SUCTION MANIFOLD	A15-1021-20	1
3	DISCHARGE MANIFOLD	A15-1031-20	1
4	DIAPHRAGM	A15-2001-55	2
5	BACK UP DIAPHRAGM	A15-2101-56	2
6	NRV BALL	15-1041-55	4
7	BALL CAGE	15-1093-20	4
8	BALL SEAT	A15-1061-20	4
9	MANIFOLD PLUG	A15-1361-21	6
10	SEAT O RING BIG	A15-3101-53	4
11	SEAT O RING SMALL	A15-3111-53	4
12	HOLDING PLATE	A15-1111-20	2
13	LOCK NUT	A15-1131-20	2
14	CENTER BLOCK	A15-1301-23	1
15	SLEEVE	A15-0011-07	1
16	SLEEVE O RING	A15-0012-51	2
17	MAIN SHAFT	A15-1341-03	1
18	MAIN SHAFT O RING	A15-0014-51	1
19	PILOT SHAFT	A15-1451-03	1
20	SPACER	A15-1491-01	3
21	PILOT SHAFT LOCK RING	A15-3186-03	2
22	PILOT SHAFT LOCK WASHER	A15-0021-03	2
23	PILOT SHAFT CIRCLIP	A15-1582-03	2
24	PILOT SHAFT CIRCLIP	A15-1583-03	2
25	PILOT O RING	A15-3176-56	4



FOJI ENGINEERING

SR No.	DISCRIPTION	PART No	QTY
26	SUCTION/DISCHARGE MANIFOLD	A15-0025-03	8
27	PISTON BLOCK	A15-1501-20	1
28	PISTON	A15-1521-69	1
29	U CUP BIG	A15-0028-51	1
30	U CUP SMALL	A15-0029-51	1
31	PISTON PLUG	A15-1571-20	1
32	PISTON PLUG O'RING	A15-3267-51	1
33	PISTON BLOCK EXHAUST COVER	A15-0032-23	1
34	PISTON BLOCK EXHAUST GASKET	A15-0033-60	1
35	PISTON BLOCK GASKET	A15-3324-51	1
36	VALVE PLATE	A15-0035-XX	1
37	VALVE INSERT	A15-0036-XX	1
38	5/16" X 2" CARRAIGE BOLTS SS (CHAMBER BOLT)	04-6032-03	8
39	5/16" X 1½" CARRIAGE BOLTTSS SS (SUC/DIS)	04-6029-03	8
40	¼ X 5" MS P B ALLEN BOLT	04-6303-61	4
41	5/16 X 45 MM SS STUD	04-6104-03	8
42	FLANGE NUT SS M 8	04-6306-03	24
43	¼ X 12.5 X 1.2 MM SS WASHER (P B ALLEN BOLT)	04-6202-03	4